

# MUTUAL SAFES

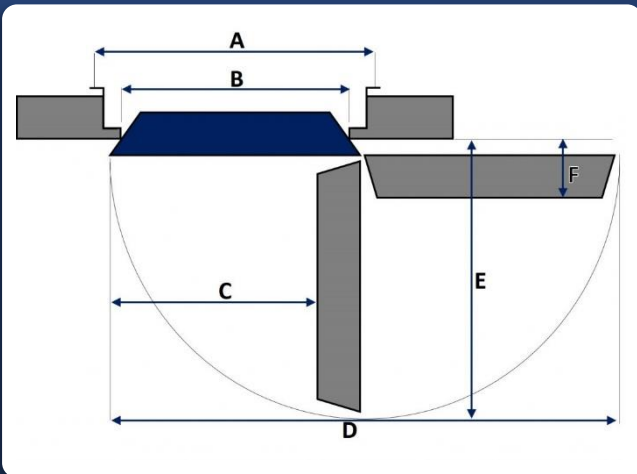
## STRONGROOM & VAULT DOORS

WWW.MUTUAL.CO.ZA

All our Strongroom doors offer excellent protection against fire and skilled methods of attack.

The sturdy construction and locking mechanism make these Strongroom doors ideal for various applications including places such as schools, businesses, post offices and industrial buildings. The higher security level vault and Strongroom doors consisting of Cat 2 ADM, 3, 4 & 5 are designed with the highest security requirements in mind.

These Strongroom doors are used by banks, CIT companies, mining houses, diamond & jewellery businesses as well as chain stores. Our Strongroom doors are perfect for where there is any concern for high levels of cash & valuables that need protection.



- A. WALL OPENING
- B. DOOR OPENING 180°
- C. DOOR OPENING 90°
- D. DOOR CLEARANCE DIAMETER
- E. PROJECTION OF DOOR (OPEN 90°)
- F. PROJECTION OF DOOR (OPEN 180°)



SABS  
ISO 9001



# STRONGROOM & VAULT DOORS

## DS 1 – 6MM RECORDROOM DOOR

Overall Thickness		Outer Plate		Boltwork		Locking		Weight	
120mm		6mm		8 bolts – 4 front and 4 back		7-lever security Keylock		240Kg	
Wall Opening	Opening 180°	Opening 90°	Over Door Frame	Clearance ø	Projection 90°	Projection 180°			
1970H x 890W	1883H x 760W	1883H x 660W	2032.5H x 1000W	1617.5 mm	865 mm	192.5 mm			

## DS 2 – 10MM RECORDROOM DOOR

Overall Thickness		Outer Plate		Boltwork		Locking		Weight	
120mm		10mm		8 bolts – 4 front and 4 back		7-lever security Keylock		330Kg	
Wall Opening	Opening 180°	Opening 90°	Over Door Frame	Clearance ø	Projection 90°	Projection 180°			
1970H x 890W	1883H x 760W	1883H x 660W	2032.5H x 1000W	1617.5 mm	865 mm	192.5 mm			

## DS 3 – 12MM STRONGROOM DOOR

Overall Thickness		Outer Plate		Boltwork		Locking		Weight	
120mm		12mm		8 bolts – 4 front and 4 back		7-lever security Keylock		380Kg	
Wall Opening	Opening 180°	Opening 90°	Over Door Frame	Clearance ø	Projection 90°	Projection 180°			
1970H x 890W	1883H x 760W	1883H x 660W	2032.5H x 1000W	1617.5 mm	865 mm	192.5 mm			

## DS 4 – 20MM STRONGROOM DOOR

Overall Thickness		Outer Plate		Boltwork		Locking		Weight	
120mm		20mm		8 bolts – 4 front and 4 back		7-lever security Keylock		740Kg	
Wall Opening	Opening 180°	Opening 90°	Over Door Frame	Clearance ø	Projection 90°	Projection 180°			
1970H x 890W	1883H x 760W	1883H x 660W	2032.5H x 1000W	1617.5 mm	865 mm	192.5 mm			

## DS 50MM CAT2 ADM

Overall Thickness	Outer Plate	Boltwork	Locking	Weight
164mm	50mm	4 front & 4 back	7-lever Keylock	480Kg

## DS 70MM CAT2 ADM

Overall Thickness	Outer Plate	Boltwork	Locking	Weight
190mm	70mm	4 front & 4 back	2 x Keylock	630Kg

Wall Opening	Opening 180°	Opening 90°	Over Door Frame	Clearance ø	Projection 90°	Projection 180°
1940H x 960W	1860H x 850W	1883H x 660W	2032.5H x 1000W	1617.5 mm	865 mm	192.5 mm

## VAULT DOORS CAT 3, 4 & 5 / GRILLE GATE SUPPLIED WITH DOOR

	DS100	DS200	DS250
Wall Opening	2 000 x 1 000 mm	2 000 x 965 mm	2 000 x 1 100 mm
Opening 180°	1 895 x 855mm	1 865 x 900 mm	1 885 x 910 mm
Opening 90°	1 885 x 655 mm	1 885 x 505 mm	1 885 x 545 mm
Over Door Frame	2 130 x 1 320 mm	2 125 x 1 315 mm	2 115 x 1 410 mm
Overall width of door & frame	2 245 mm	2 250 mm	2 320 mm
Projection of door (90°)	1 050 mm	1 050 mm	1 120 mm
Projection of door (180°)	210 mm	310 mm	365 mm